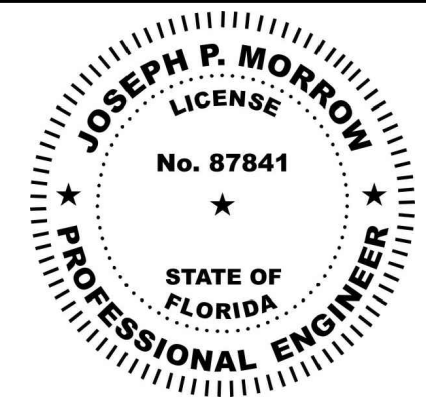


Permit Sketches

ST. JOSEPH PENINSULA COASTAL STRUCTURES



Gulf County Board of County Commissioners
1000 Cecil G. Costin, Sr. Boulevard, Port St. Joe, Florida, 32456



This item has been digitally signed and sealed by Joseph Morrow, P.E., on 12/01/2023. Printed copies of this document are not considered signed and sealed and the signature must be verified on any electronic copies.

543 Harbor Boulevard, Suite 204
 Destin, Florida 32541
 Certification of Authorization Number 9482
 850.654.1555 (voice) • 850.654.0550 (fax)
 www.mrd-associates.com
mrd
mrd associates, inc.
 Coastal, Marine & Water Resource Engineering

OWNER CONTACT INFORMATION

Clay Smallwood
 Assistant County Administrator
 Gulf County Board of County Commissioners
 1000 Cecil G. Costin, Sr. Boulevard
 Port St. Joe, Florida, 32456

ENGINEER CONTACT INFORMATION

Joseph Morrow, P.E.
 MRD Associates, Inc.
 543 Harbor Boulevard, Suite 204
 Destin, Florida 32541
 850.654.1555
 850.654.0550 fax
 Email: jmorrow@coastalprotectioneng.com

PROJECT LOCATION

Gulf County, Florida
 Sections 14, 23, 25-26, 36, Township 8S, Range 12W
 Section 1, 12, Township 9S, Range 12W
 Sections 7, 18-20, Township 9S, Range 11W

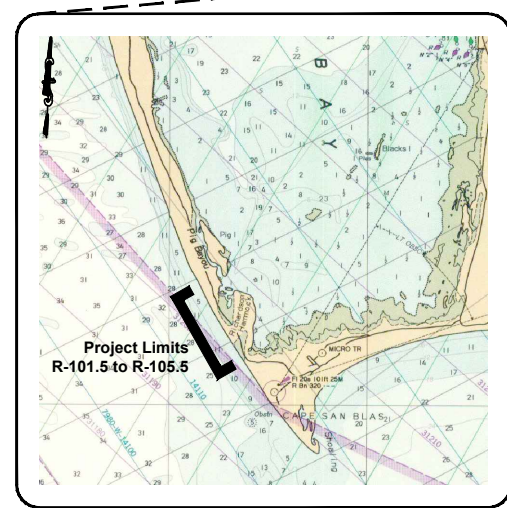
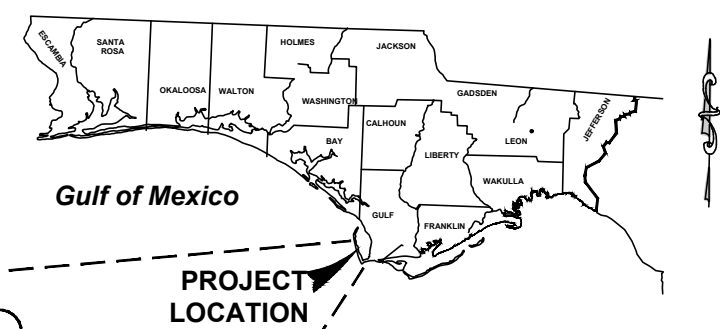
Latitude/Longitude:
 29°45'33.41"N/85°24'10.52"W to 29°43'48.32"N/85°23'34.34" (NAD1983)
 29°43'09.95"N/85°23'16.52"W to 29°40'44.78"N/85°21'56.35" (NAD1983)

Northing/Easting
 277,245N/1,681,932E to 266,648N/1,685,092E (NAD1983)
 262,680N/1,686,621E to 248,114N/1,693,533E (NAD1983)

DEP Monuments: R-101.5 to R-105

- Commissioners**
 District 1 - David Rich
 District 2 - Ward McDaniel
 District 3 - Jimmy Rogers
 District 4 - Sandy Quinn (Chairman)
 District 5 - Phillip McCroan

Michael Hammond,
 County Administrator



LOCATION MAP

SCALE: 1 inch = 3 miles

INDEX OF SHEETS

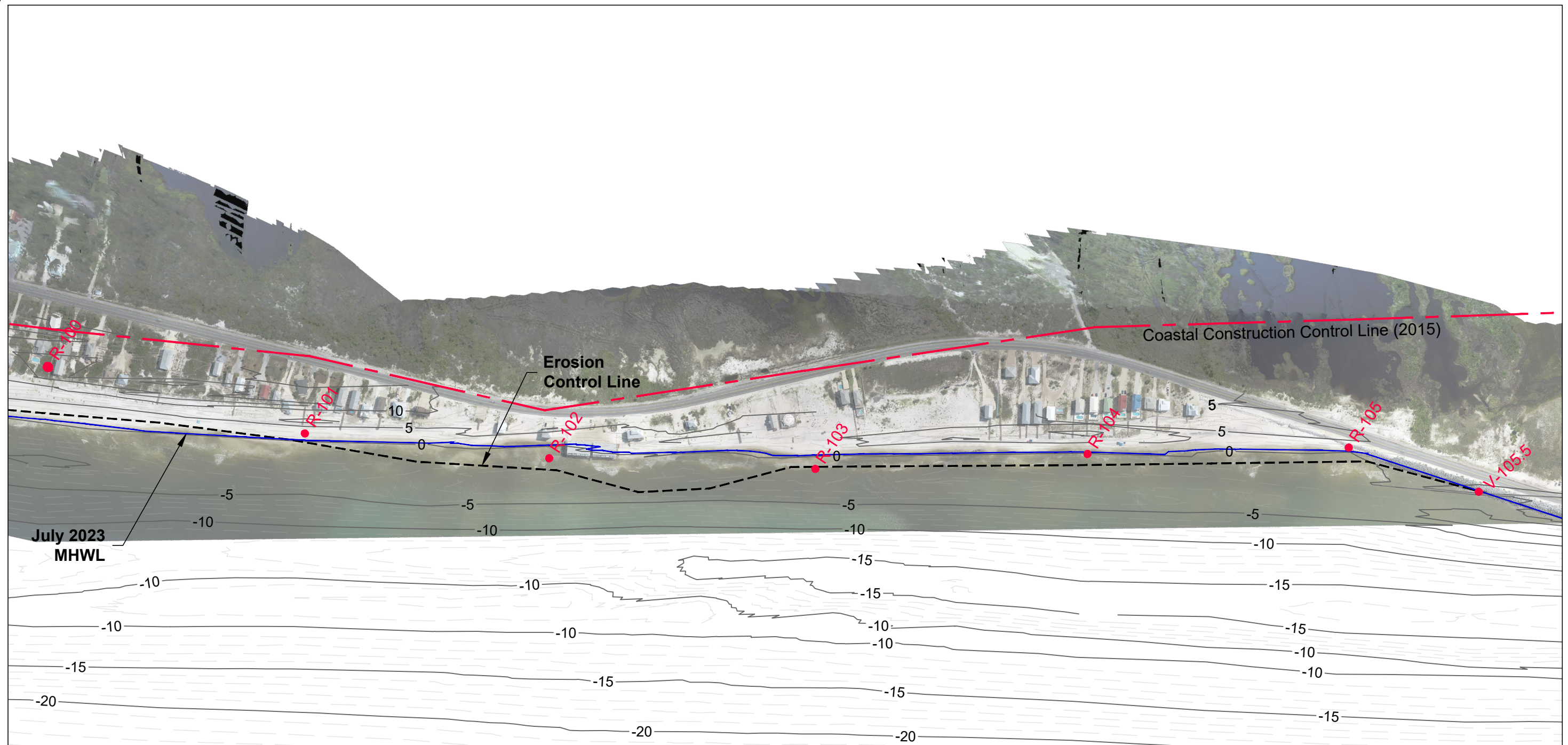
Sheet No.	Description
1	COVER SHEET AND LOCATION MAP
2	EXISTING CONDITIONS
3	OVERALL SITE LAYOUT
4	PROPOSED CONDITIONS AND LAYOUT PLAN (1 OF 2)
5	PROPOSED CONDITIONS AND LAYOUT PLAN (2 OF 2)
6	BEACH FILL SECTION B-B'
7	TYPICAL BREAKWATER SECTIONS A-A' AND B-B'
8	WARNING SIGN SECTIONS AND DETAILS
9	SUBMERGED BREAKWATERS EASEMENT

COVER SHEET AND LOCATION MAP
ST. JOSEPH PENINSULA COASTAL STRUCTURES
 Gulf County Board of County Commissioners
 1000 Cecil G. Costin, Sr. Boulevard, Port St. Joe, Florida, 32456

Date: January 03, 2018
 Sheet Rev Date: December 1, 2023
 PROJECT NUMBER
20-210.001
 SHEET NUMBER
1

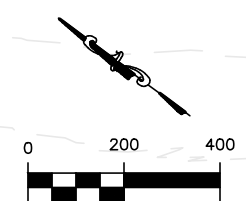
PERMIT SKETCHES

THESE SKETCHES ARE FOR REVIEW ONLY AND NOT FOR CONSTRUCTION.



MONUMENT LOCATIONS

R-Monument	Northing	Easting
R-99	253846.40	1690312.09
R-100	253037.80	1690856.34
R-101	252057.59	1691193.57
R-102	251208.44	1691639.24
R-103	250318.73	1692177.88
R-104	249464.86	1692813.27
R-105	248627.76	1693397.03
V-105.5	248114.72	1693533.57
R-106	247693.11	1693835.91



(IN FEET)
1 inch = 400 ft.

August 2023 Imagery Source: MRD
Topography Survey: Dewberry, July, 2023

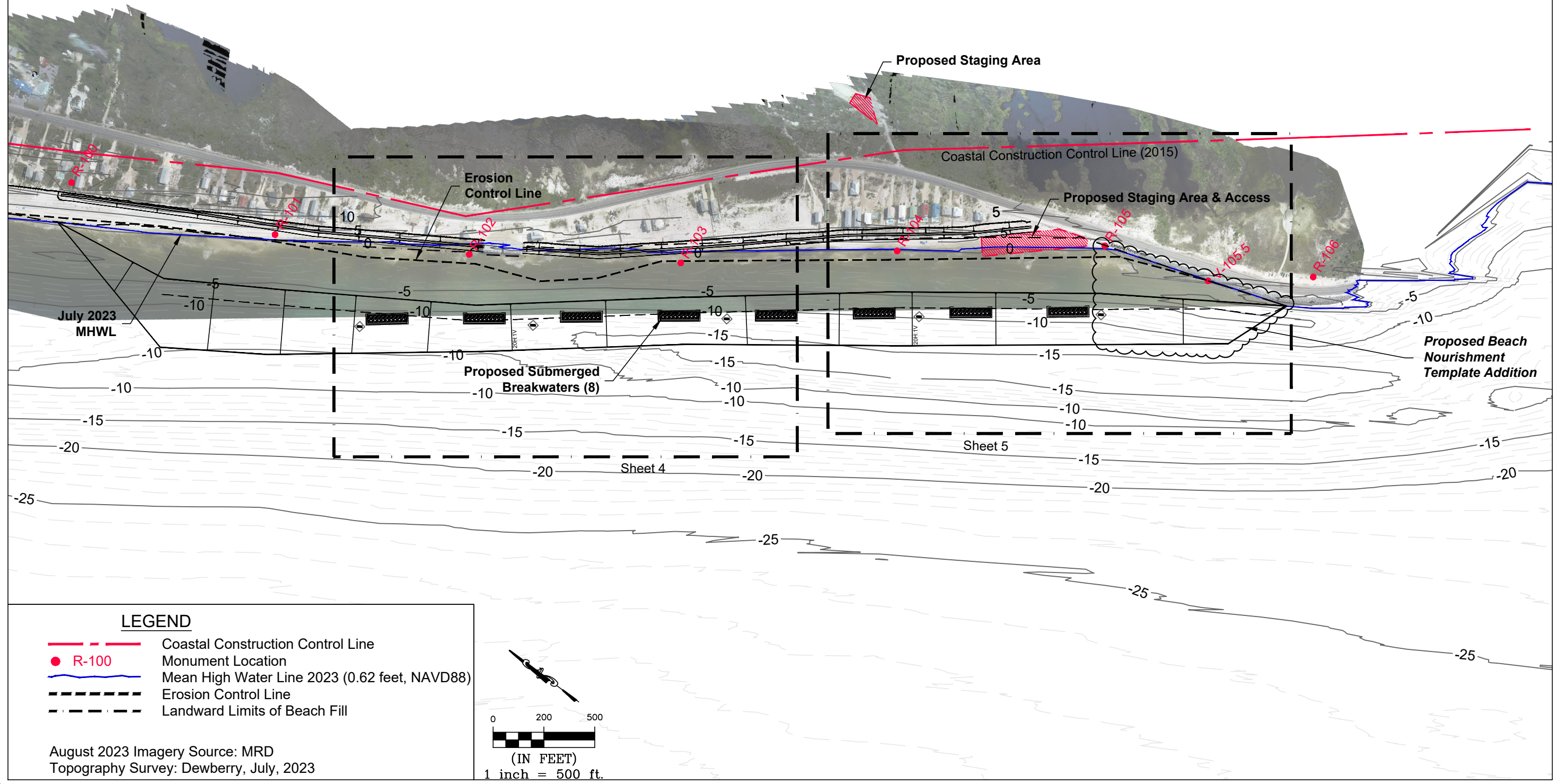
MRD
mrd associates, inc.
Coastal, Marine & Water Resource Engineering

543 Harbor Boulevard, Suite 204
Destin, Florida 32541
Certification of Authorization Number 9482
850.654.1555 (voice) • 850.654.0550 (fax)
www.mrd-associates.com

2023 EXISTING CONDITIONS
ST. JOSEPH PENINSULA COASTAL STRUCTURES

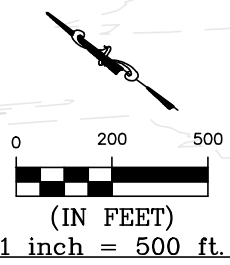
Gulf County Board of County Commissioners
1000 Cecil G. Costin, Sr. Boulevard, Port St. Joe, Florida, 32456

Date: January 03, 2018
Sheet Rev Date: December 1, 2023
PROJECT NUMBER: 20-210.001
SHEET NUMBER: 2



LEGEND

- - - Coastal Construction Control Line
- R-100 Monument Location
- Mean High Water Line 2023 (0.62 feet, NAVD88)
- Erosion Control Line
- Landward Limits of Beach Fill



August 2023 Imagery Source: MRD
 Topography Survey: Dewberry, July, 2023

543 Harbor Boulevard, Suite 204
 Destin, Florida 32541
 Certification of Authorization Number 9482
 850.654.1555 (voice) • 850.654.0550 (fax)
 www.mrd-associates.com

mrd
 mrd ASSOCIATES, INC.
 Coastal, Marine & Water Resource Engineering

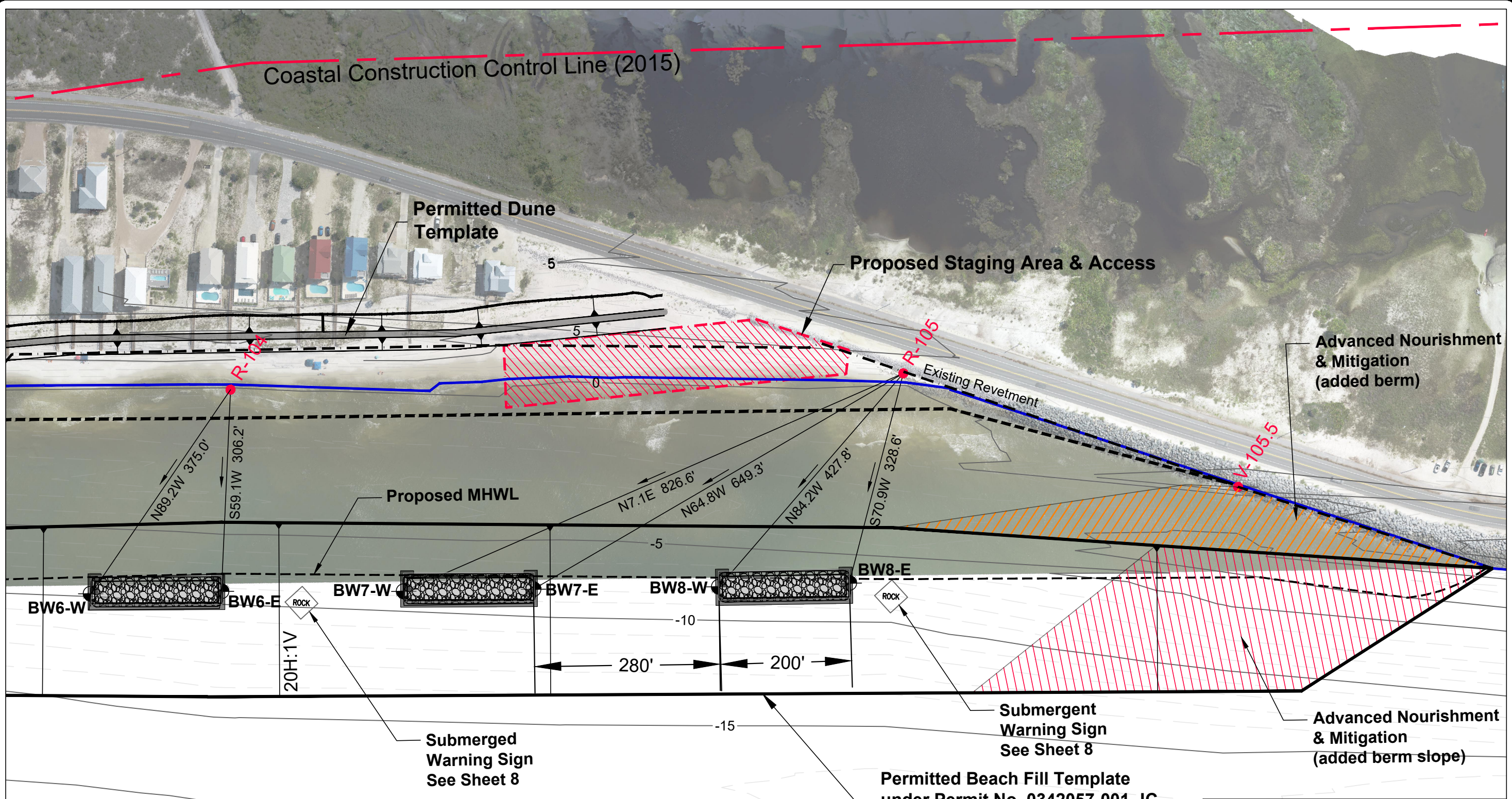
OVERALL SITE LAYOUT
ST. JOSEPH PENINSULA COASTAL STRUCTURES

Gulf County Board of County Commissioners
 1000 Cecil G. Costin, Sr. Boulevard, Port St. Joe, Florida, 32456

Date: January 03, 2018
 Sheet Rev Date: December 1, 2023
 PROJECT NUMBER: 20-210.001
 SHEET NUMBER: 3

PERMIT SKETCHES

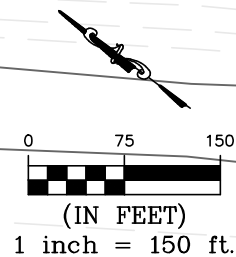
THESE SKETCHES ARE FOR REVIEW ONLY AND NOT FOR CONSTRUCTION.



LEGEND

- - - Coastal Construction Control Line
- R-102 Reference Monument
- Mean High Water Line 2023 (0.62 feet, NAVD88)
- - - Erosion Control Line

August 2023 Imagery Source: MRD
Topography Survey: Dewberry, July, 2023



Permitted Beach Fill Template
under Permit No. 0342057-001-JC,
Gulf County, expiration date:
December 21, 2031

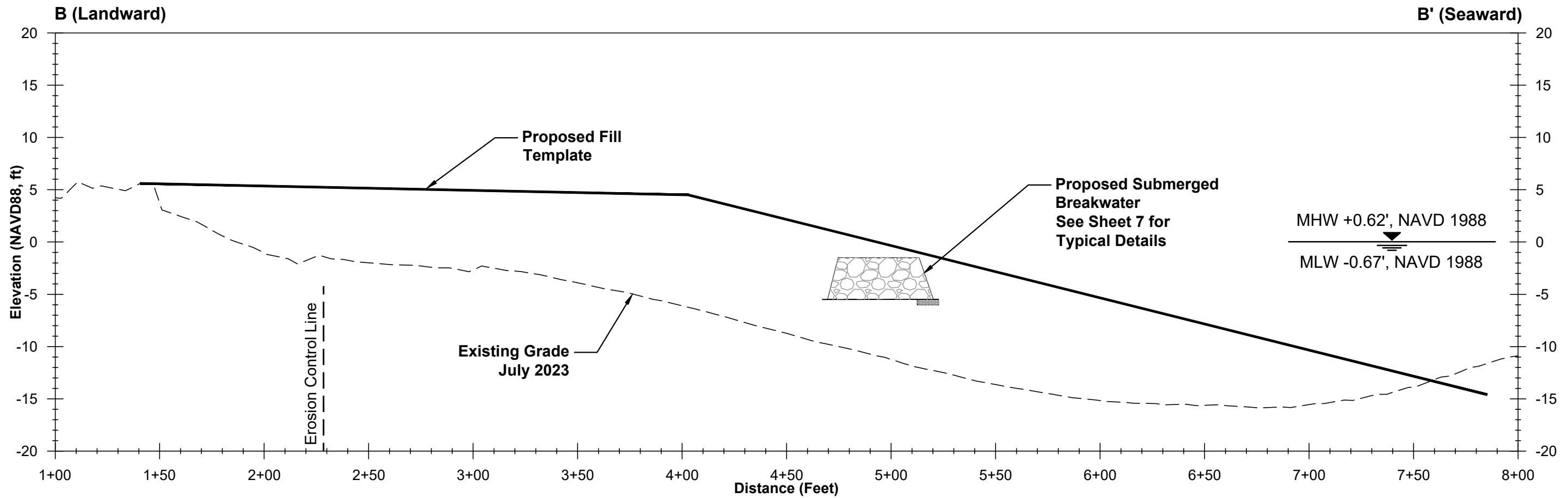
CONTROL TABLE		
Control Point	Northing	Easting
BW6-W	249476.1	1692438.0
BW6-E	249312.8	1692550.6
BW7-W	249082.2	1692703.1
BW7-E	248919.9	1692814.5
BW8-W	248687.6	1692972.7
BW8-E	248525.8	1693086.5

PROPOSED CONDITIONS AND LAYOUT PLAN (2 of 2)
ST. JOSEPH PENINSULA COASTAL STRUCTURES

Gulf County Board of County Commissioners
 1000 Cecil G. Costin, Sr. Boulevard, Port St. Joe, Florida, 32456

MRD
MRD ASSOCIATES, INC.
 Coastal, Marine & Water Resource Engineering
 543 Harbor Boulevard, Suite 204
 Destin, Florida 32541
 Certification of Authorization Number 9482
 850.654.1555 (voice) • 850.654.0550 (fax)
 www.mrd-associates.com

Date: January 03, 2018
 Sheet Rev Date: December 1, 2023
 PROJECT NUMBER
20-210.001
 SHEET NUMBER
5



TYPICAL BEACH FILL SECTION B-B'

HORIZONTAL SCALE: 1" = 1'
VERTICAL SCALE: 1" = 5'

mrd
mrd ASSOCIATES, INC.
 Coastal, Marine & Water Resource Engineering
 543 Harbor Boulevard, Suite 204
 Destin, Florida 32541
 Certification of Authorization Number 9482
 850.654.1555 (voice) • 850.654.0550 (fax)
 www.mrd-associates.com

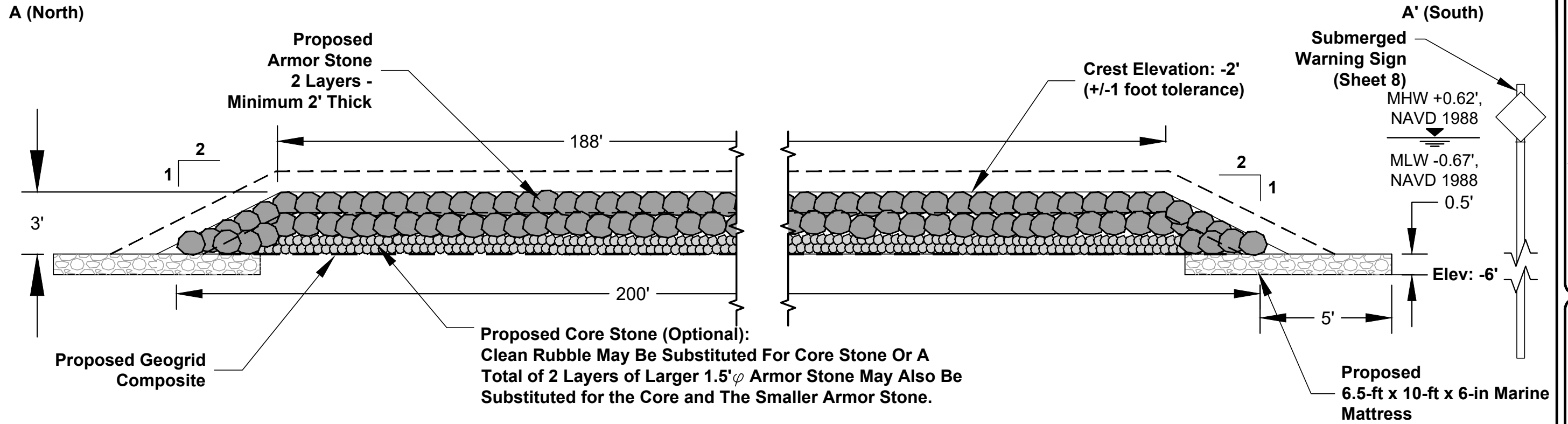
BEACH FILL SECTIONS B-B'
ST. JOSEPH PENINSULA COASTAL STRUCTURES

Gulf County Board of County Commissioners
 1000 Cecil G. Costin, Sr. Boulevard, Port St. Joe, Florida, 32456

Date: January 03, 2018
 Sheet Rev Date: December 1, 2023
 PROJECT NUMBER
20-210.001
 SHEET NUMBER
6

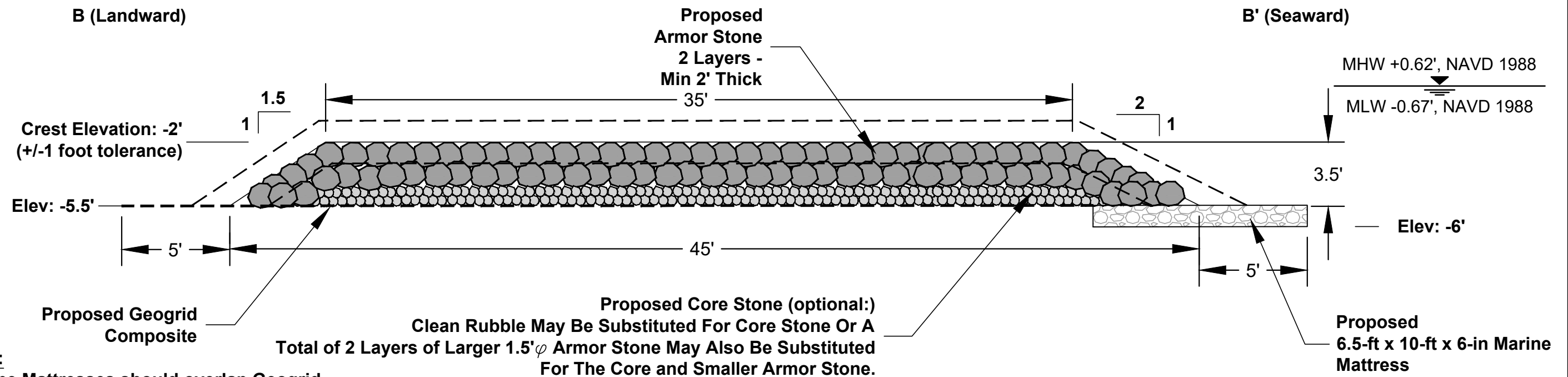
PERMIT SKETCHES

THESE SKETCHES ARE FOR REVIEW ONLY AND NOT FOR CONSTRUCTION.



TYPICAL SUBMERGED BREAKWATER SECTION A-A'

SCALE: 1" = 5'



TYPICAL SUBMERGED BREAKWATER SECTION B-B'

SCALE: 1" = 5'

Notes:

- Marine Mattresses should overlap Geogrid Composite by 2-ft (min)
- On the seaward edge, marine mattresses should extend 5-ft (min) beyond toe of rock structure

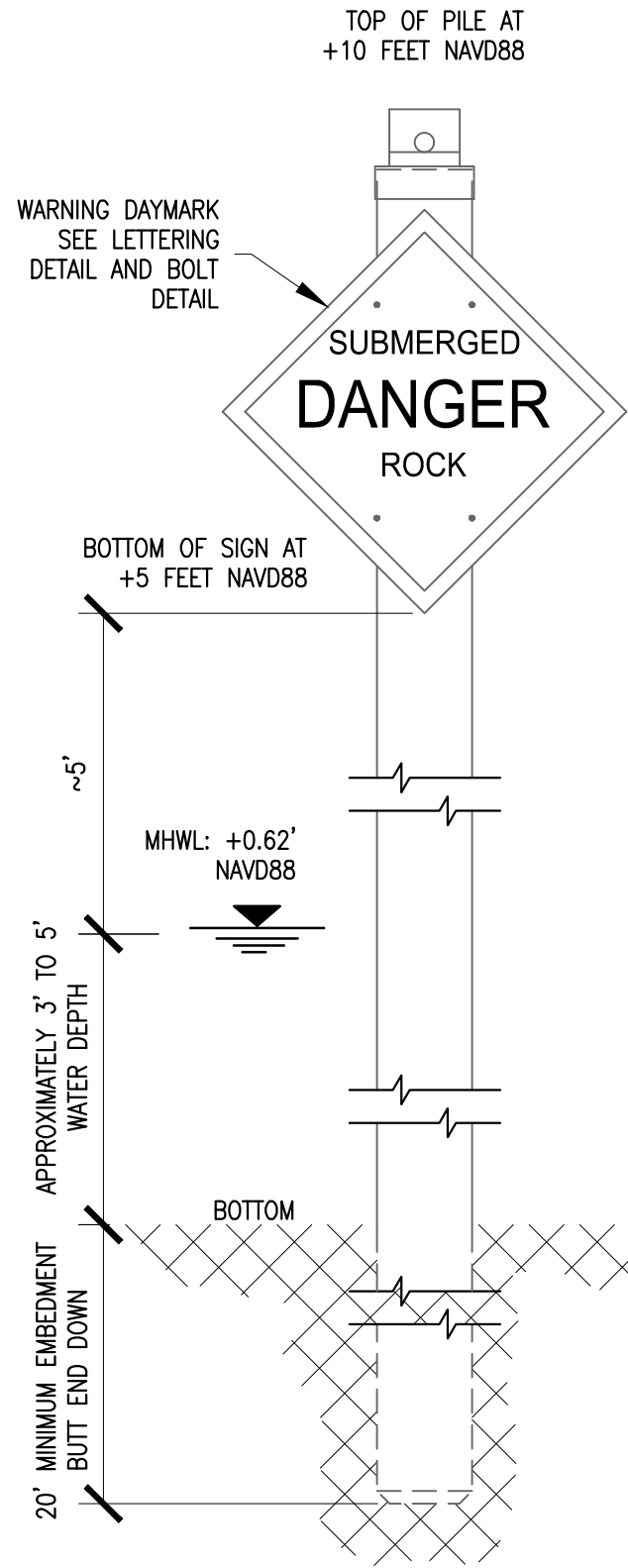
543 Harbor Boulevard, Suite 204
Destin, Florida 32541
Certification of Authorization Number 9482
850.654.1555 (voice) • 850.654.0550 (fax)
www.mrd-associates.com

mrd
mrd ASSOCIATES, inc.
Coastal, Marine & Water Resource Engineering

BREAKWATER SECTIONS A-A' AND B-B'
ST. JOSEPH PENINSULA COASTAL STRUCTURES

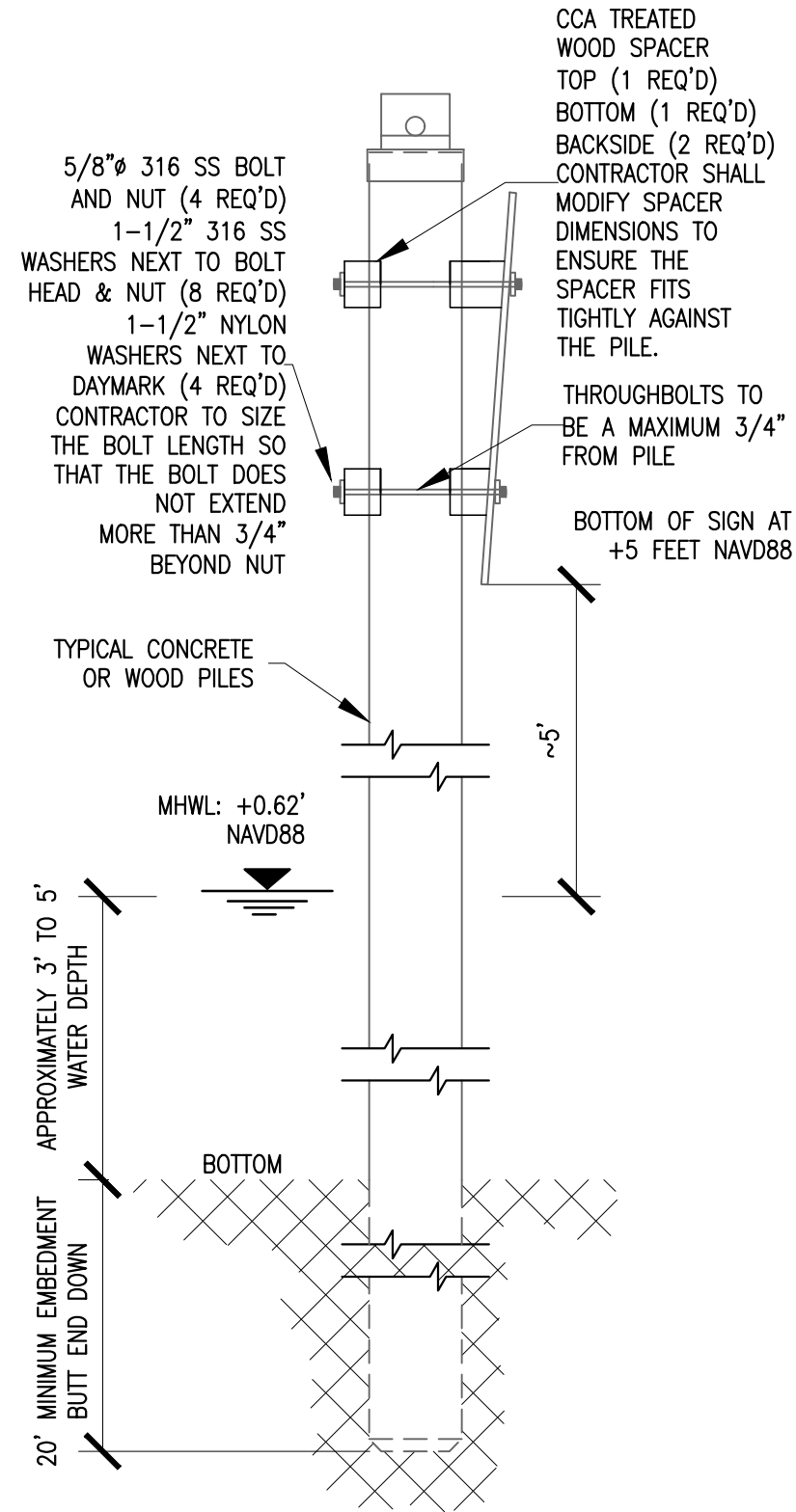
Gulf County Board of County Commissioners
1000 Cecil G. Costin, Sr. Boulevard, Port St. Joe, Florida, 32456

Date: January 03, 2018
Sheet Rev Date: December 1, 2023
PROJECT NUMBER
20-210.001
SHEET NUMBER
7



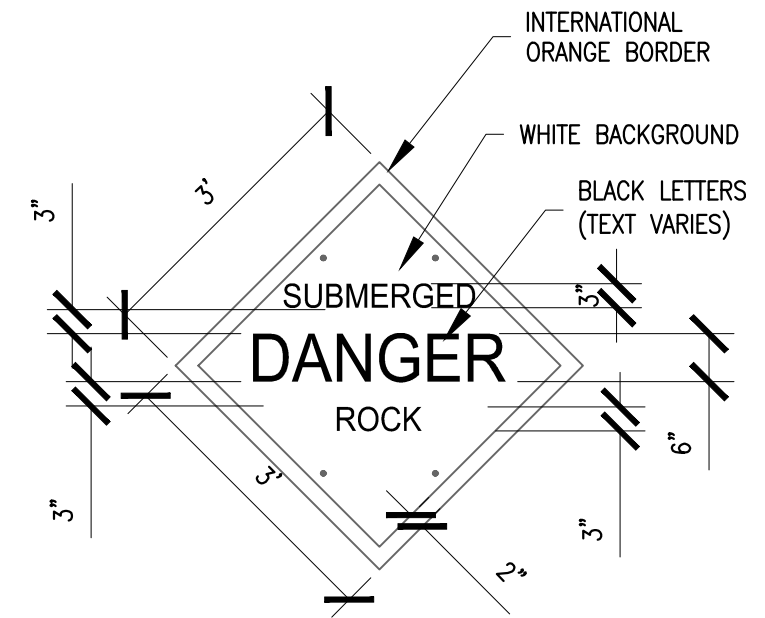
SUBMERGED WARNING SIGN SECTION AND DETAILS

SCALE: 1" = 2'



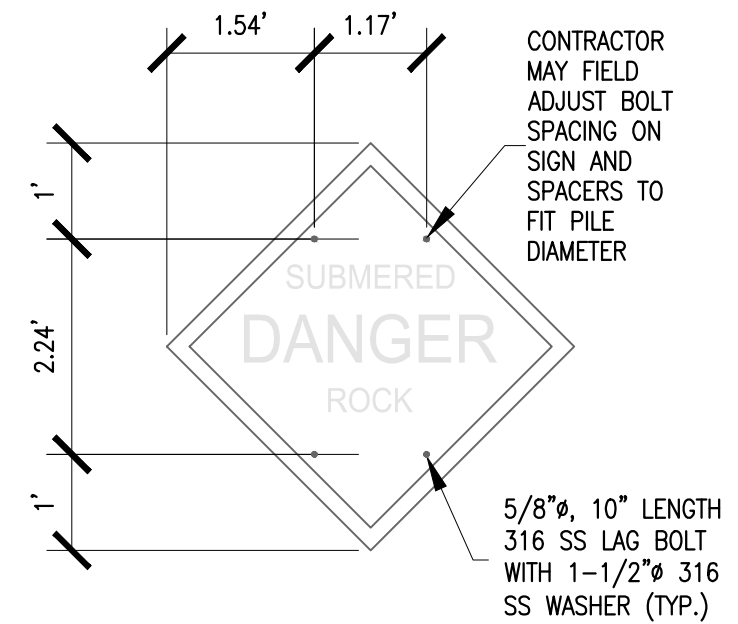
WARNING SIGN SECTION AND DETAILS

SCALE: 1" = 2'



WARNING DAYMARK BOLT DETAIL

SCALE: 1" = 2'

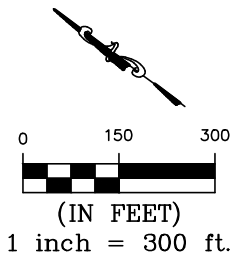
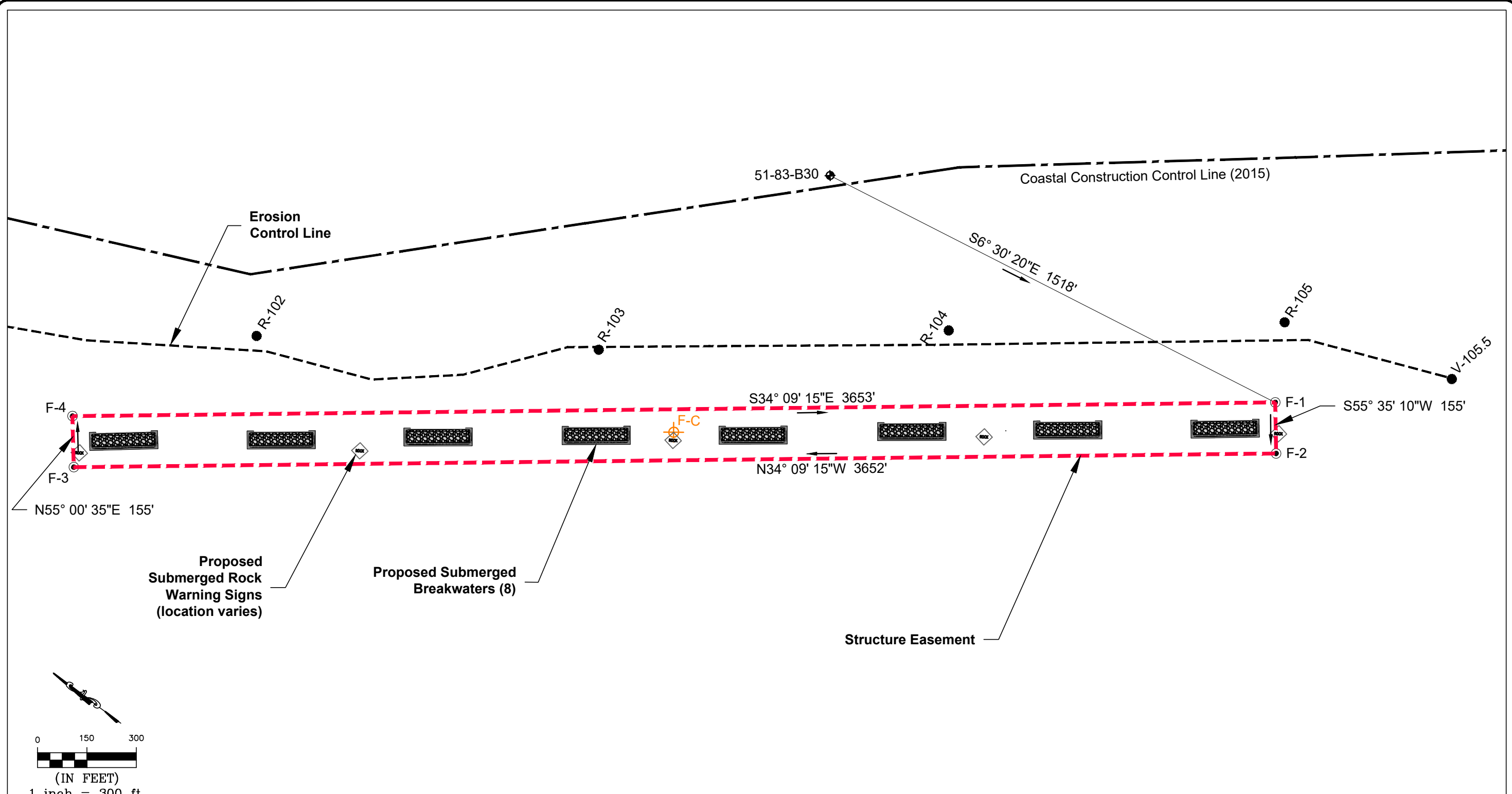


WARNING DAYMARK BOLT DETAIL

SCALE: 1" = 2'

PERMIT SKETCHES

THESE SKETCHES ARE FOR REVIEW ONLY AND NOT FOR CONSTRUCTION.



LEGEND

- Coastal Construction Control Line
- R-100 Monument Location
- Erosion Control Line
- Easement Limits
- F-3 Easement Control Point
- 51-83-B30 FDEP Control Monument
- F-C Easement Centroid

Control Point Table		
Name	Northing	Easting
F-1	248522.5	1693178.4
F-2	248434.9	1693050.5
F-3	251457.0	1691000.3
F-4	251545.9	1691127.3
F-C	249996.4	1692094.4
Name	Northing	Easting
51-83-B30	250030.3	1693006.5

COMMENCE AT THE POINT F-1 ALSO KNOWN AS THE POINT OF BEGINNING HAVING ITS COORDINATES NORTHING = 248522.5, EASTING = 1693178.4, IN THE FLORIDA STATE PLANE COORDINATE SYSTEM, NORTH ZONE, NORTH AMERICAN DATUM 1983/NAD, U.S. SURVEY; THENCE PROCEED SOUTH 55 DEGREES 35 MINUTES 10 SECONDS WEST FOR A DISTANCE OF 155 FEET, THENCE PROCEED NORTH 34 DEGREES 9 MINUTES 15 SECONDS WEST FOR A DISTANCE OF 3652 FEET, THENCE PROCEED NORTH 55 DEGREES 0 MINUTES 35 SECONDS EAST FOR A DISTANCE OF 155 FEET, THENCE PROCEED SOUTH 34 DEGREES 9 MINUTES 15 SECONDS EAST FOR A DISTANCE OF 3653 FEET TO THE POINT OF TERMINUS ALSO KNOWN AS THE POINT OF BEGINNING.

543 Harbor Boulevard, Suite 204
 Destin, Florida 32541
 Certification of Authorization Number 9482
 850.654.1555 (voice) • 850.654.0550 (fax)
 www.mrd-associates.com

mrd
 mrd ASSOCIATES, INC.
 Coastal, Marine & Water Resource Engineering

**SUBMERGED BREAKWATERS EASEMENT
 ST. JOSEPH PENINSULA COASTAL STRUCTURES**

Gulf County Board of County Commissioners
 1000 Cecil G. Costin, Sr. Boulevard, Port St. Joe, Florida, 32456

Date: December 1, 2023
 Sheet Rev Date:
 PROJECT NUMBER
20-210.01
 SHEET NUMBER
9